

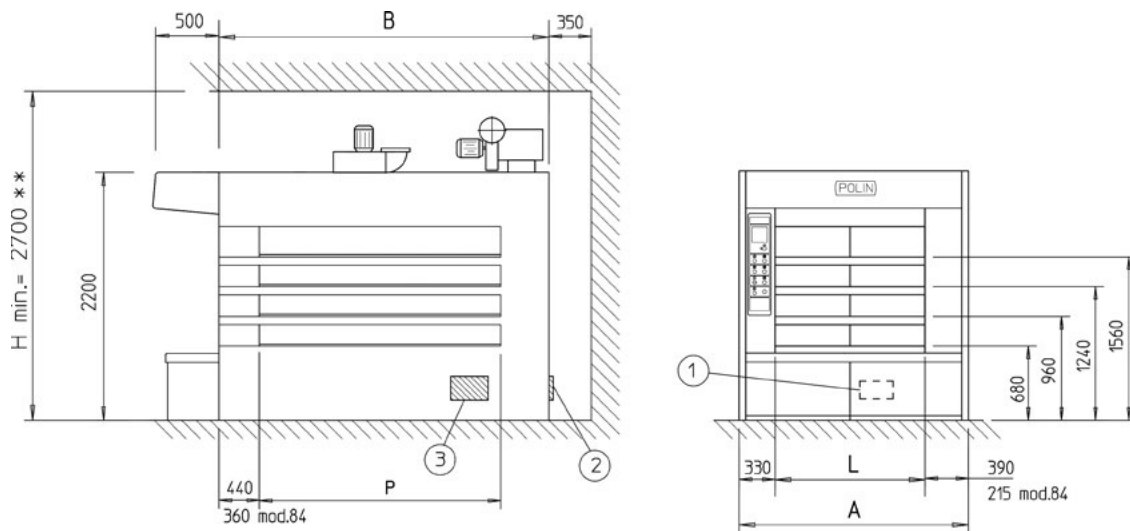
# TV SYNCRON PELLET



- N° 3 steam tube decks heated by pellet burner.
- Top deck electric and independent with mass ceramic electric elements
- Maximum working temperature 350 °C for electric deck
- N° 1 steam generator per deck
- Deck ready for installation of supplementary steam generator
- Baking plates in " armored concrete"
- N° 1 steam exhaust valve each deck.
- Steam generators control by electrovalve with timer
- Hood with one speed exhaust fan
- Safety thermostat for steam pipes decks
- Automatic adjustment of front temperature (electric deck).
- Safety thermostats for steam generators and electric deck.
- Doors with low emission dismountable glass (with lever opening for ovens width 84)
- Automatic start
- Aided draught kit
- Available in versions SMART 0.8H and 0.20H, and HI CONTROL 0.20H depending on working hours

<i>Power inlet</i>	400/3N~/50
<i>Water inlet</i>	Ø ½" GAS
<i>Steamer drain</i>	Ø 1" GAS
<i>Fuel pipe inlet</i>	-
<i>Steam exhaust output</i>	Mod. 84 Ø 150 mm Ø 250 mm*
<i>Fume exhaust output</i>	Ø 200 mm
<i>Frontal door (anti-explosion and clearing access)</i>	Pos.1
<i>Inspection rear flue cleaning</i>	Pos.2
<i>Side rear cleaning door (standard for version 0.20 H)</i>	Pos.3

\* Minimum diameter pipe exhaust fumes 200 mm.



	Chambers	Baking Surface	Dim.	Useful dimension chambers					Installed power			Minimum door width	Weight
				Length	Height				Thermic	Electrical	Super Power		
	n°	mq	B mm	P mm	1°mm	2°mm	3°mm	4°mm	kcal/h	kW	Super Power	mm	kg
<b>4,2 / 84x126-4</b>	3+1	4,2	1910	1260	200	200	200	250	35.000	9,7	13,8	650x1180	2.150
<b>5,7 / 84x170-4</b>	3+1	5,7	2350	1700	200	200	200	250	40.000	10,9	16,1	650x1180	2.750
<b>7,2 / 84x214-4</b>	3+1	7,2	2790	2140	200	200	200	250	48.000	12,6	19,6	650x1180	3.350
<b>8,7 / 84x258-4</b>	3+1	8,7	3230	2580	200	200	200	250	56.000	14,9	23,6	650x1180	3.950
<b>8,4 / 124x170-4</b>	3+1	8,4	2430	1700	200	200	200	250	48.000	12,7	19,0	650x1580	3.600
<b>10,6 / 124x214-4</b>	3+1	10,6	2870	2140	200	200	200	250	56.000	14,8	23,2	650x1580	4.250
<b>12,8 / 124x258-4</b>	3+1	12,8	3310	2580	200	200	200	250	60.000	16,9	27,4	650x1580	4.800
<b>10,6 / 156x170-4</b>	3+1	10,6	2430	1700	200	200	200	250	56.000	14,4	22,0	650x1900	4.100
<b>13,5 / 156x214-4</b>	3+1	13,5	2870	2140	200	200	200	250	65.000	16,9	27,1	650x1900	4.850
<b>16,0 / 156x258-4</b>	3+1	16,0	3310	2580	200	200	200	250	70.000	19,9	32,2	650x1900	5.550
<b>12,5 / 186x170-4</b>	3+1	12,5	2430	1700	200	200	200	250	60.000	14,9	23,0	650x2200	4.550
<b>16,0 / 186x214-4</b>	3+1	16,0	2870	2140	200	200	200	250	70.000	17,6	28,4	650x2200	5.450
<b>19,0 / 186x258-4</b>	3+1	19,0	3310	2580	200	200	200	250	78.000	20,3	33,8	650x2200	6.250